

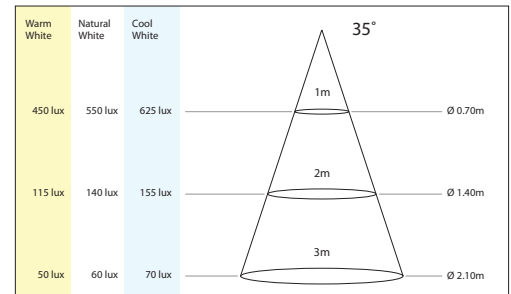
Luxor LED spot - L05420

Features

The Luxor LED spot is only available in anodized aluminium and can be used to replace 50 mm halogen spots.

Specifications

Input current	350mA or 700mA (max.)
Input power	2.3W at 700mA(max.)
Forward voltage	3.3V
Number of LEDs	1
LED type	Current
LED Expected lifetime	50.000hrs / 70%
Approved Drivers	Lumotech L05011iNS / L05013NS / L05016iNS / L05020NS / L05021NS (See website for more info)
Dimmable	Depends on the used driver
Ambient Temperature (Ta)	-20°C to +35°C
Available LED Colours	Warm white / Natural white / Cool white / Red / Blue / Green / Amber
Default light angle	35°
Classifications	III, IP20, F
Case dimensions (ØxH)	50 x 25 mm
Built in size (Ø)	43 mm
Case material	Anodized aluminium
Case colors	Aluminium (Anodized) / Black (Anodized) / White (RAL 9010)
Case weight	47.5 gram
Max. Case temperature (Tc)	70°C
Storage temperature	-20°C to +50°C
Lead connection method	Lumoluce 'Click and go' - connector system
Rotation angle	45°
Approvals	CE



Notes

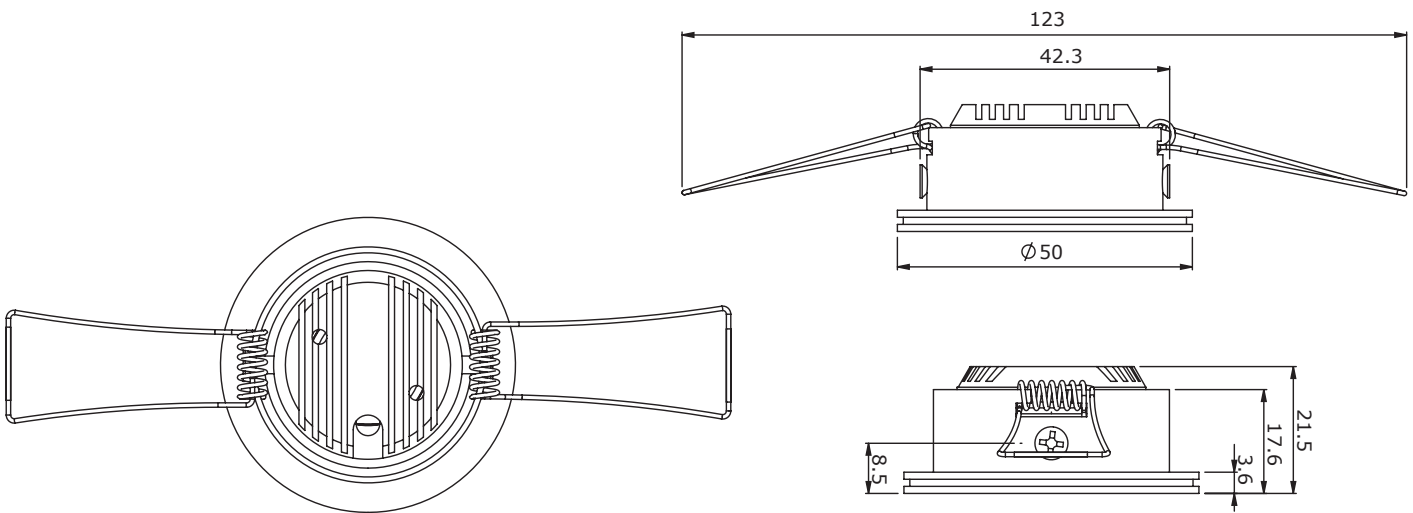
The lifetime durability of the Luxor is dependant on the ambient temperature! Never mount the Luxor in direct sunlight or near a heatsource. Mount the Luxor only in a properly ventilated place.

The photometric information for each product is available for download with an .ldt file extension, allowing the data to be imported into most light building software packages.

Luxor LED spot - L05420

Technical drawing

Some technical drawings of this product are shown below.



Order

Luxor - L05420 Warm white - Alu case	L05420WW
Luxor - L05420 Warm white - White case	L05420WW-W
Luxor - L05420 Warm white - Black case	L05420WW-B
Luxor - L05420 Natural white - Alu case	L05420NW
Luxor - L05420 Natural white - White case	L05420NW-W
Luxor - L05420 Natural white - Black case	L05420NW-B
Luxor - L05420 Cool white - Alu case	L05420CW
Luxor - L05420 Red - Alu case	L05420RD

On request

Luxor - L05420 Blue - Alu case	L05420BL
Luxor - L05420 Green - Alu case	L05420GR
Luxor - L05420 Amber - Alu case	L05420AM

Disclaimer

©2010, Lumoluce B.V. All rights reserved. Designs and specifications may change without prior notice.