

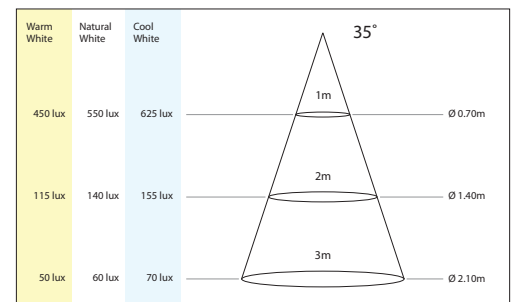
Luca Adjustable LED spot - L05451-SS

Description

The Luca Adjustable LED spot is only available in Stainless Steel and can be used in all sorts of showcases, kitchens and toilets, preferably with light colored walls. Also for use as a downlighter.

Specifications

Input current	350mA or 700mA (max.)
Input power	2.3W at 700mA(max.)
Forward voltage	3.3V
Number of LEDs	1
LED type	Current
LED Expected lifetime	50.000hrs / 70%
Approved Drivers	Lumotech L05011iNS / L05013NS / L05016iNS / L05020NS / L05021NS (See website for more info)
Dimmable	Depends on the used driver
Ambient Temperature (Ta)	-20°C to +35°C
Available LED Colours	Warm white / Natural white / Cool white
Default light angle	35°
Photometric specifications	See website www.lumoluce.com
Classifications	III, IP20, F
Case dimensions (ØxH)	62 x 25 mm
Built in size (Ø)	50 mm
Case material	Aluminium
Case colors	Stainless Steel
Case weight	66 gram
Max. Case temperature (Tc)	70°C
Storage temperature	-20°C to +50°C
Lead connection method	Lumoluce 'Click and go' - connector system
Rotation angle	45°
Approvals	CE



Notes

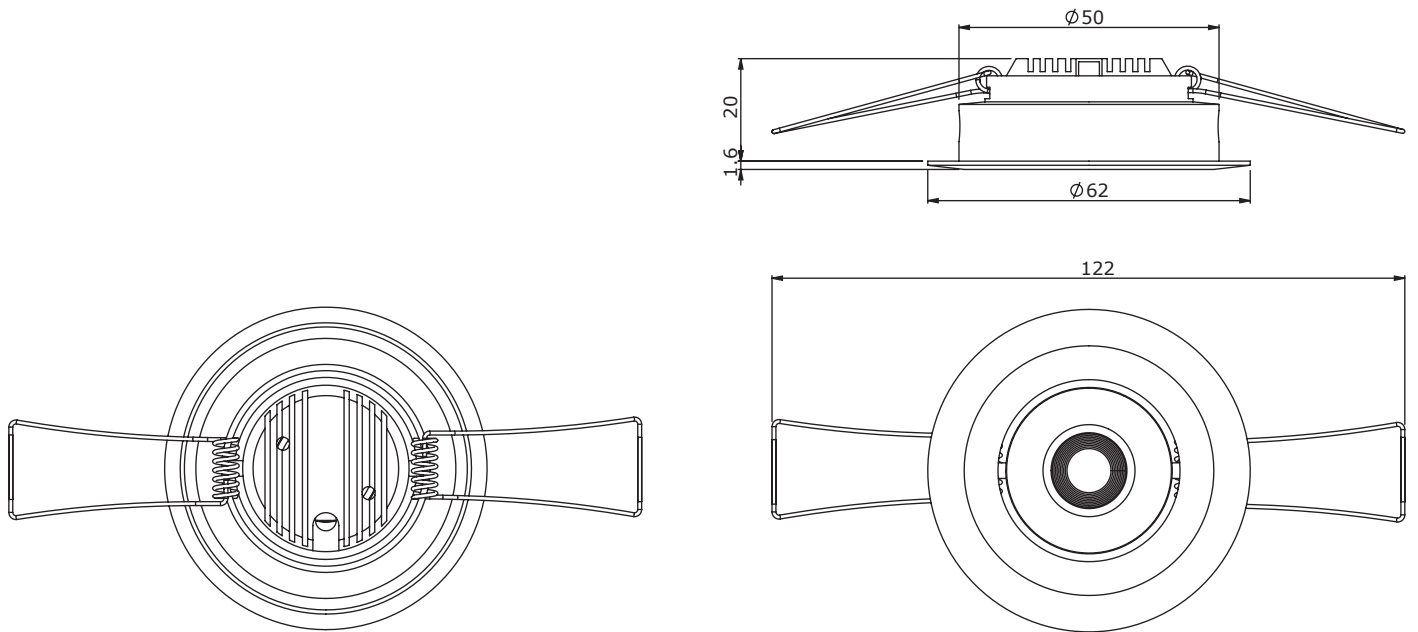
The lifetime durability of the Luca Adjustable is dependant on the ambient temperature! Never mount the Luca Adjustable in direct sunlight or near a heatsource. Mount the Luca Adjustable only in a properly ventilated place.

The photometric information for each product is available for download with an .ldt file extension, allowing the data to be imported into most light building software packages.

Luca Adjustable LED spot - L05451-SS

Technical drawing

Some technical drawings of this product are shown below.



Order

Luca adjustable LED spot - L05451 Warm white	L05451WW-SS
Luca adjustable LED spot - L05451 Natural white	L05451NW-SS
Luca adjustable LED spot - L05451 Cool white	L05451CW-SS

Disclaimer

©2010, Lumoluce B.V. All rights reserved. Designs and specifications may change without prior notice.